

Neck Pickup Wires:  
 A - Green - Tape together w/White  
 B - Red - Ground  
 C - White - Tape together w/Green  
 D - Black - Hot

Bridge Pickup Wires:  
 E - Green - Ground  
 F - Red - Tape together w/Black  
 G - White - Hot  
 H - Black - Tape together w/Red

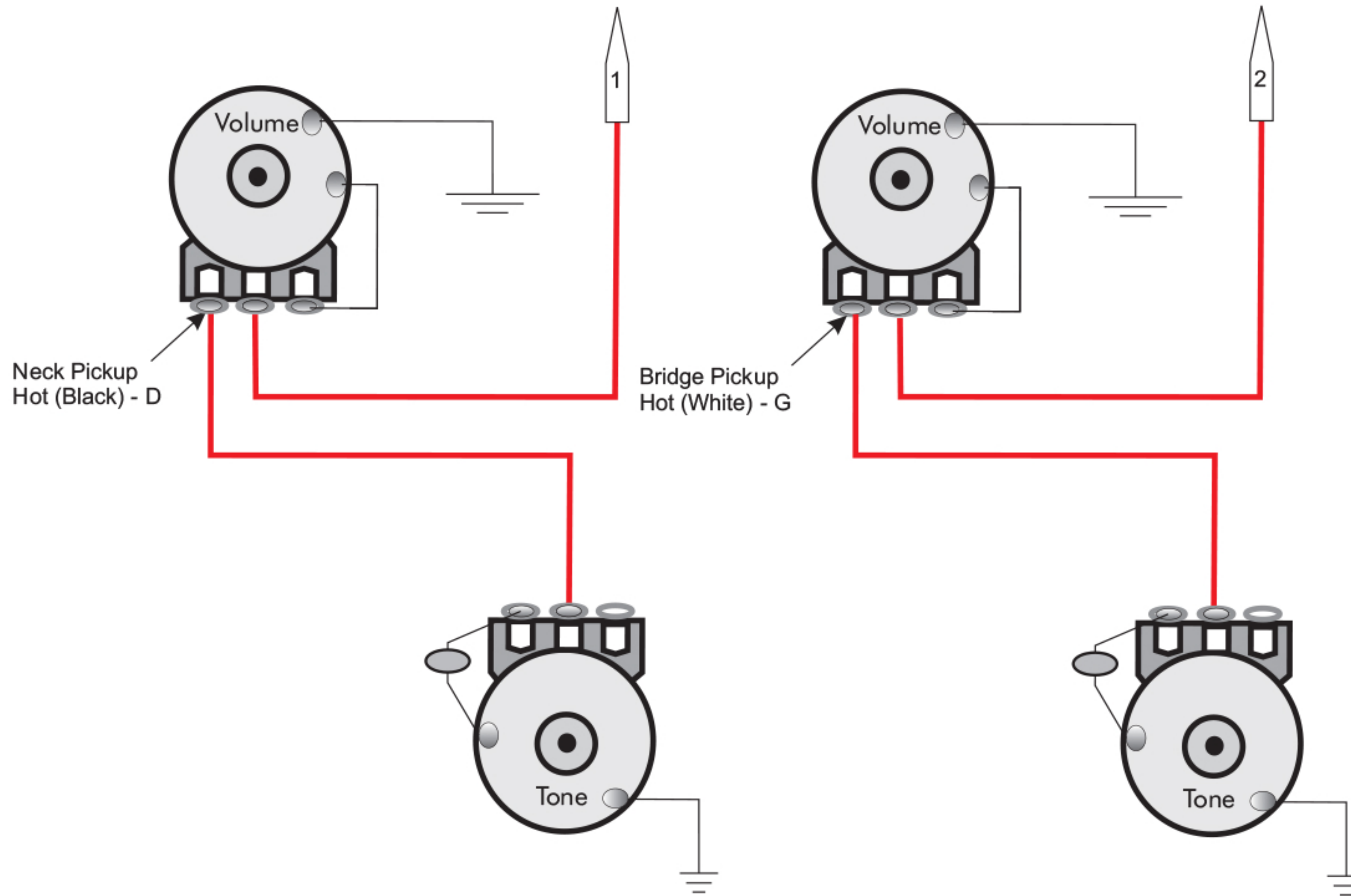
Operating Instructions

3-way toggle pickup switch:

Position 1 (down) - Treble Pickup

Position 2 - Treble and Bass Humbucking Pickups

Position 3 (up) - Bass Pickup



Models: SE 245 and SE Zach Myers